

The conventional manual call point designed for conventional fire alarm system for reporting fire or emergency condition by pull down the plate. The manual call point can be reset by a special key without breaking the glass.

- ✓ Compatible with all the conventional fire alarm control panel
- ✓ Can be reset by key without use a new glass
- ✓ 470 Ohm resistance
- ✓ Easy surface mounting Base included



Technical Specification

Model	AW-CMC2166-6
Dimension	140mmX105mmX45 mm
Weight	220 g
Operating Temperature Range	-10°C to 50°C
Operating Humidity Range	10% to 93% Relative Humidity, Noncondensing
Latching Alarm	Reset by momentary power interruption
System Voltage (nominal)	24 VDC (9V~ 28VDC)
Standby Current	60 μ A @ 24VDC
Alarm Current	10~30 mA @ 24VDC

Figure 1. Dimension of manual call point

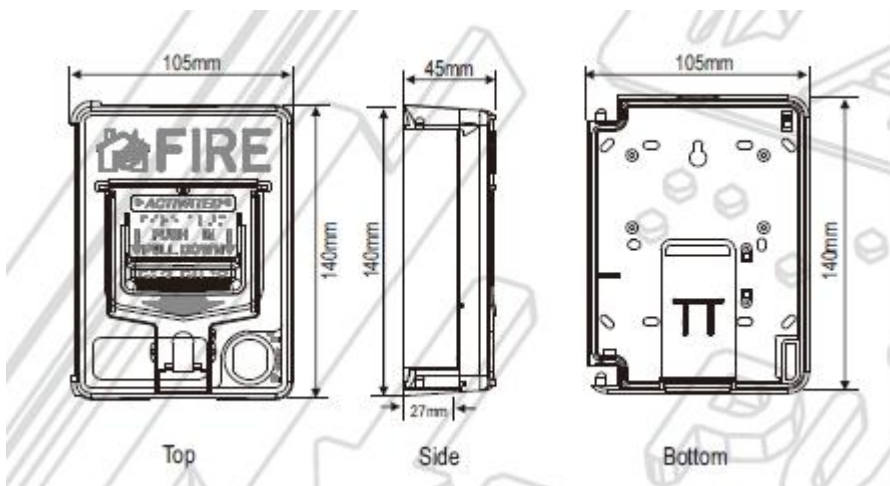


Figure 2. Wiring diagram for the manual call point:

