

The AW-CTD382 conventional heat detector uses thermal component to detect the temperature changing in the environment.

It can enable fire alarm when the temperature difference achieved the setting rate of rise temperature value or/and the temperature achieved fix temperature.

This detector is designed to provide open area protection and to be used with the AW-CFP2166 conventional fire alarm panel.

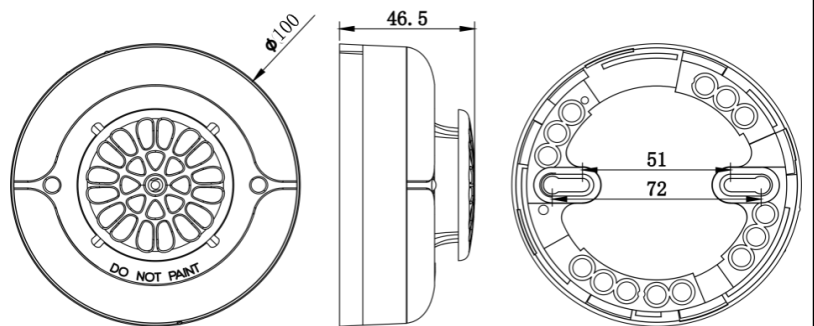
The detector that initiated the alarm condition will have its red LED latched until reset by panel.



### Features

- ✓ Surface mounting
- ✓ LED indicator
- ✓ Complete functional test with every activation
- ✓ Meets all requirements of latest EN54-5:2000

### Installation



## Technical Specification

Model	AW-CTD382
Operating Voltage	9~28VDC @Zone
Monitoring Current	≤120uA @Zone 24VDC
Maximum Alarm Current	≤15mA @Zone 24VDC
Wiring	The promise of two bus system(Zone +, Zone -)
Fix Temperature Alarm	57°C(135°F) A2R
Rate of Rise Alarm	7.1°C/5s A2R
Environmental	Temperature range: -10 to 50°C (14~122°F) Humidity: 5 to 95% RH, non-condensing
Materials and colors	ABS, White
Mating Host	AW-CFP2166 fire alarm control panel
Size	100mm* 100mm* 46.5mm
Weight	About 100g