

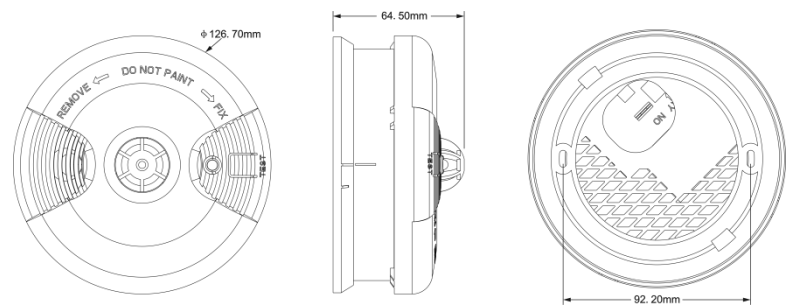
This detector is a heat detector that uses the heat runner with the best heat transfer sensitivity. It is designed to provide open area protection without wiring. The red LED on the detector provides a local 360° visible alarm indication. They flash once every minute, indicating that the power is on and the detector is working. When an alarm occurs, the red LED is on, until the temperature is lower than the alarm threshold.



Features

- ✓ Surface mounting
- ✓ Low working current
- ✓ LED indicator and buzzer
- ✓ No wire connection
- ✓ Complete functional test with every activation
- ✓ Meets all requirements of latest EN standard.

Installation



Technical Specification

Model	AW-STD606D
Operating Voltage	2* AA or 3VDC battery
Operating current	monitoring status $\leq 10\mu\text{A}$, alarm status $\leq 20\text{mA}$
Fix alarm temperature	57°C (135°F)
Rate of rise Alarm	7.1°C/5S A2R
Alarm level	$\geq 85\text{dB}$ /3m
Application	For indoor use only
Indicator	Normal: blinking Alarm: lighting
Environmental	Temperature range: -10 to 50°C (14~122°F) Humidity: 5 to 95% RH, non-condensing
Materials and colors	ABS, white
Size	127mm* 127mm* 54.5mm (with cover)
Weight	About 162g