

S-332

Bell 6"

Voltage 24 VDC

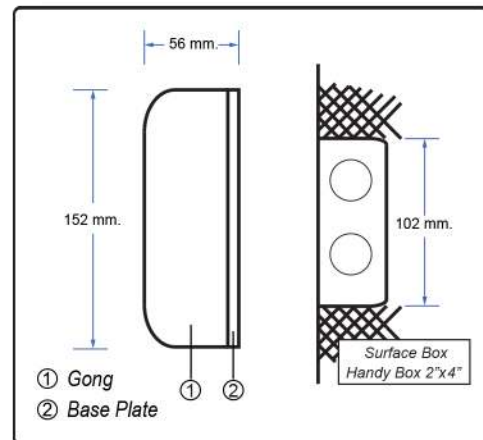


S-332

Features

- High efficiency low current consumption on 24 VDC motorized bells.
- Terminals will accept 2.5 mm cables.
- Simple installation via multi-fixing base plate for all types of location.
- Fitted with two series diodes for fault monitoring.
- Option of customized discs printed with company name and logo.
- 12 VDC bells are also available.

Fire Alarm Bell
 Model : AH-0218
 Manufactured : HORING LIH INDUSTRIAL CO.,LTD.
 Approvals : EN54



Specification

Model	S-332
Voltage	24V DC
Current	25mA
Sound Output	93dB @ 1M
Movement	Motor, Pinion and striker
Movement Features	DC Motor, acetal gear wheel, steel striker
Gong	Steel, secured with phillips screw
Base Plate	Molded black polycarbonate
Material	Steel plate
Dimensions	Ø 6" (152mm) x 56mm(H)
Weight	About 850g